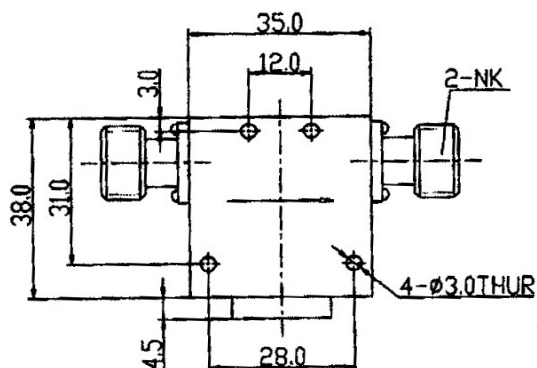
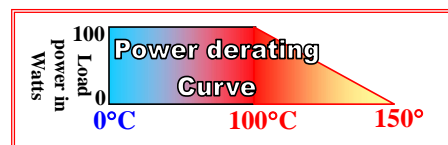
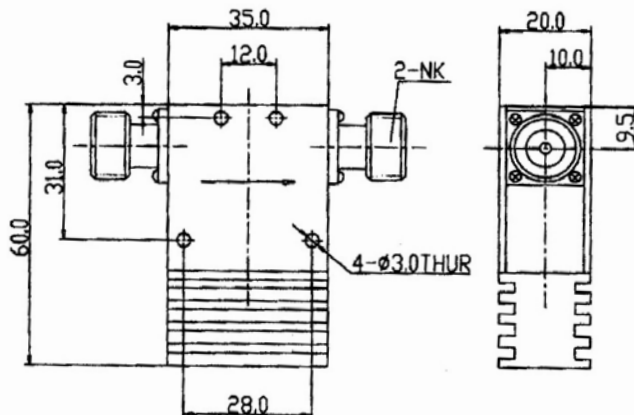


## Coaxial Isolator, 495-516MHz N-Type Connectors, 10 or 100 Watts RADI-495-516M-N3-10WR

**RADI-495-516M-N3-10WR(100W Fwd)**



**RADI-495-516M-N3-100WR(100W Fwd)**



Direction of RF:	
<b>R</b>	Default
<b>L</b>	

Units: mm  
Not to scale

Order Examples: **RADI-495-516M-N3-10WR**  
**I=ISOLATOR / C=CIRCULATOR**

N / SMA Connector options (X)				
Isolator		Circulator		
Port 1	Port 2		Port 3 Male	Port 3 Female
Female	Male	-1	-11	-21
Male	Female	-2	-12	-22
Female	Female	-3	-13	-23
Male	Male	-4	-14	-24

Specifications: Frequency MHz	Insertion loss dB (max)	Isolation dB (min)	VSWR :1	Power Fwd Watts	Power Rev Watts	Temp °C	Connector
495-516	0.3	23	1.20	100	10	-10 to +75	N-Type
495-516	0.3	23	1.20	100	100	-10 to +75	N-Type